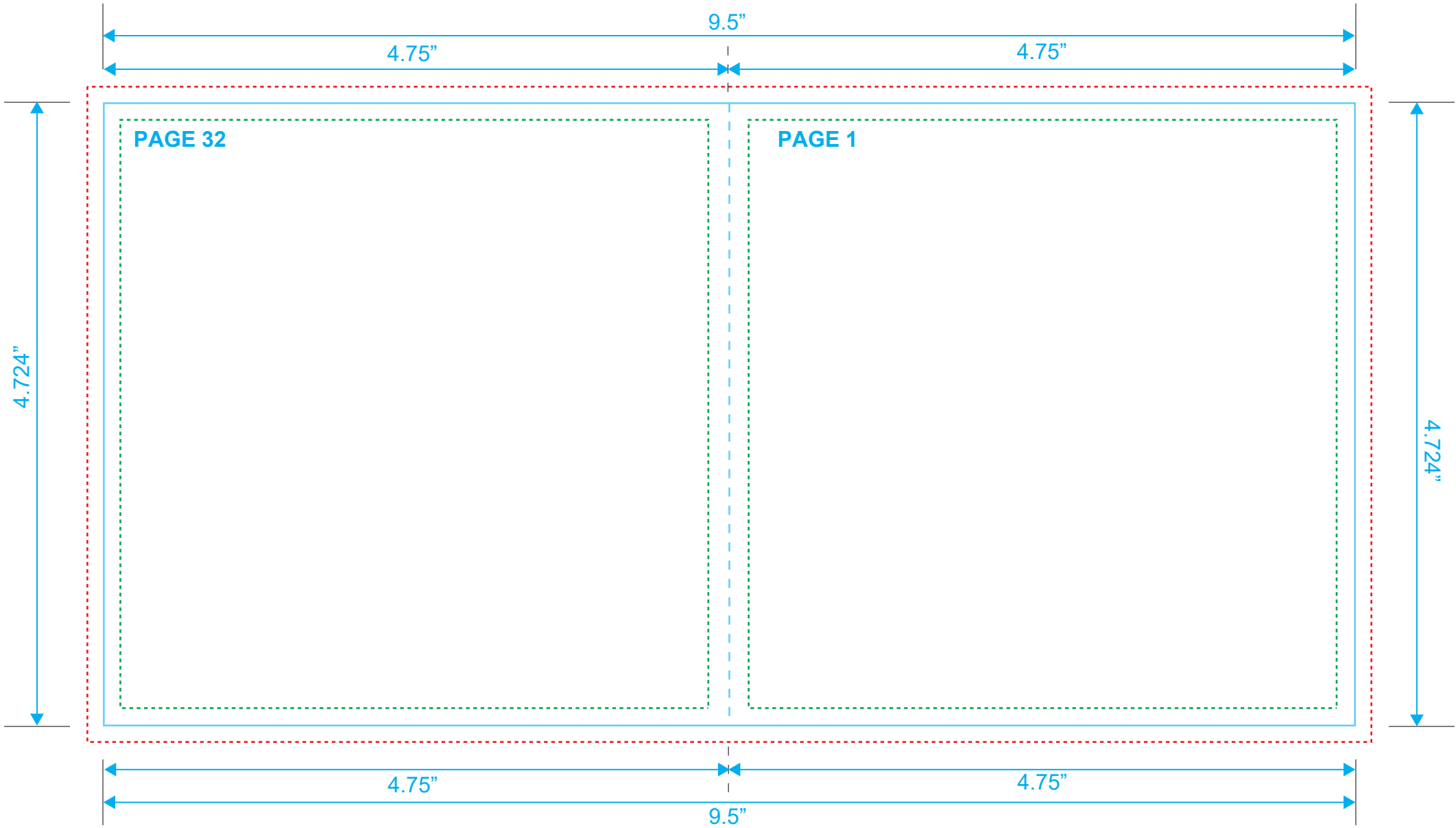


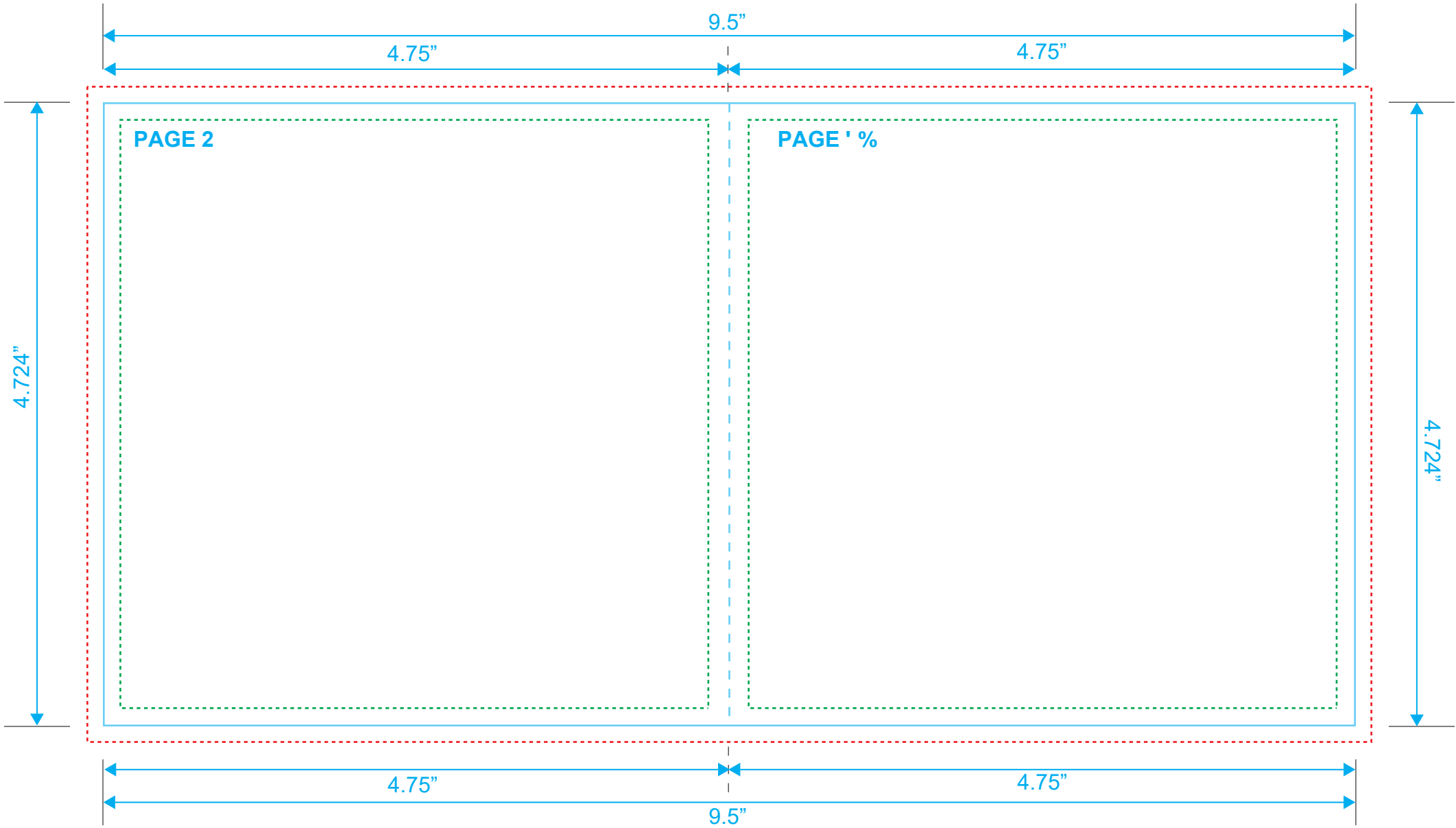
BOOKLET
Reference: 32 Pages
Style: 2 Panel
Size: 9.5" x 4.724"

Type Safety
Bleed Line
Crop Line _____



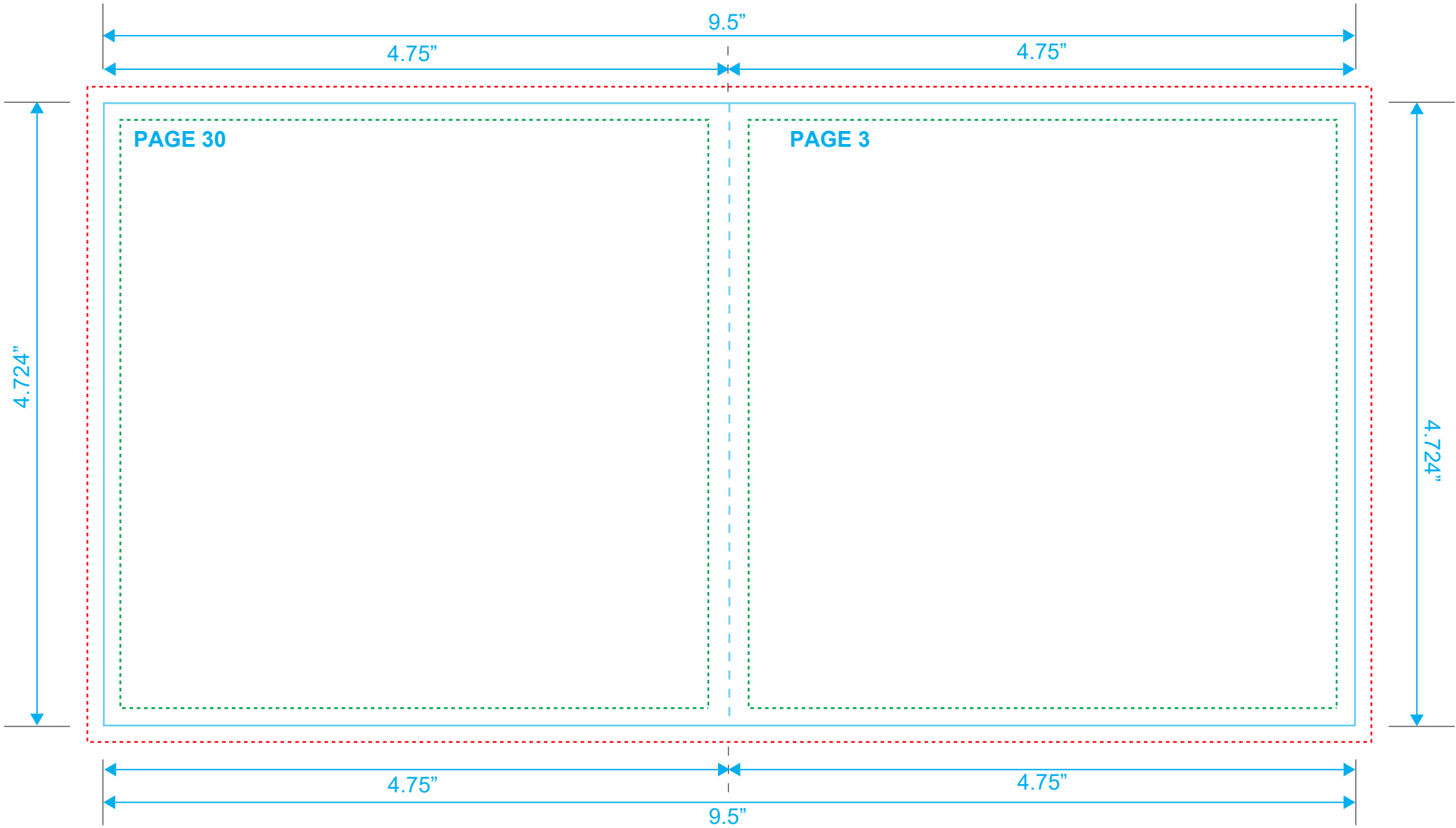
BOOKLET
Reference: HGPages
Style: 2 Panel
Size: 9.5" x 4.724"

Type Safety
Bleed Line
Crop Line _____



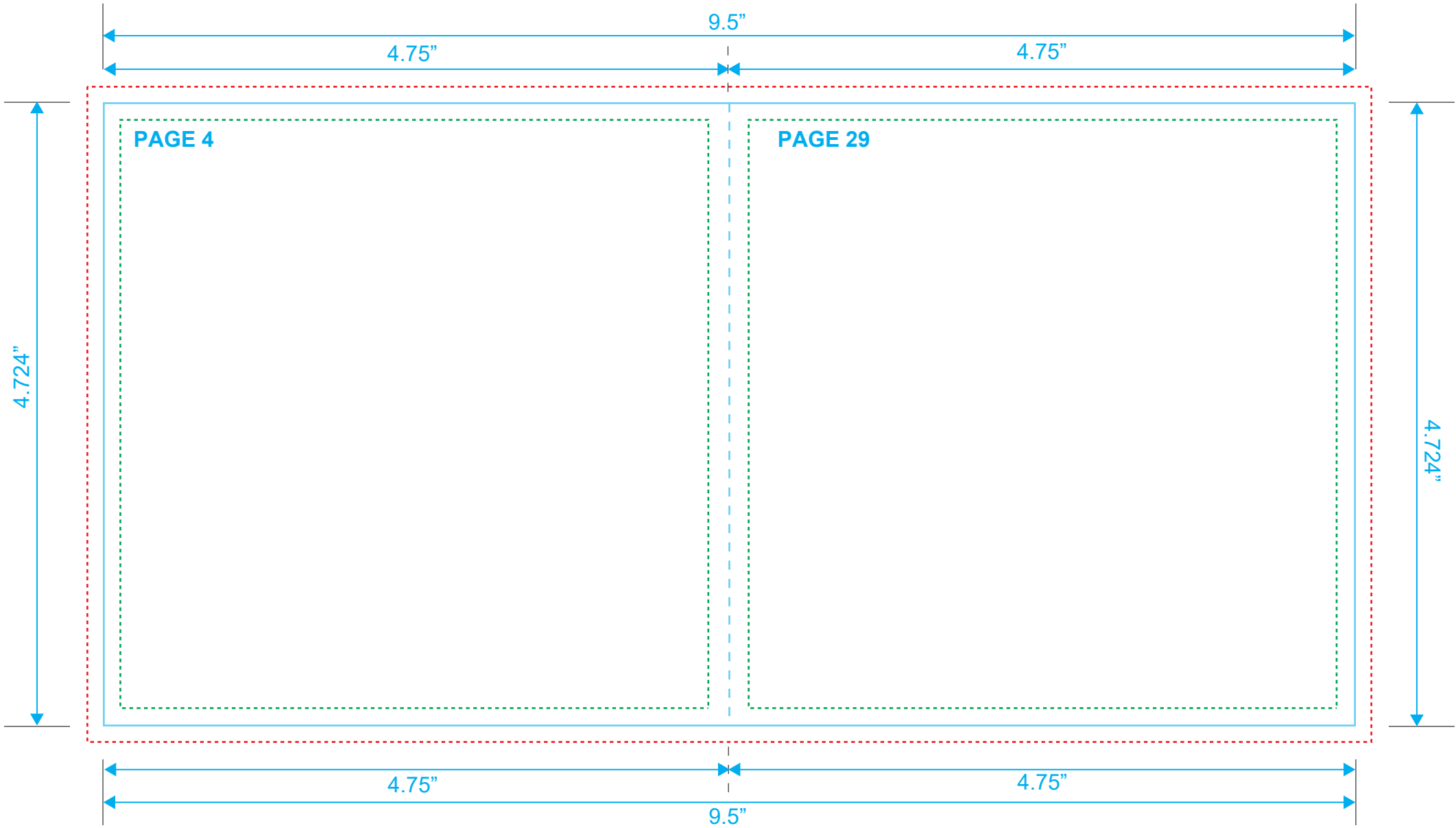
BOOKLET
Reference: 32 Pages
Style: 2 Panel
Size: 9.5" x 4.724"

Type Safety
Bleed Line
Crop Line _____



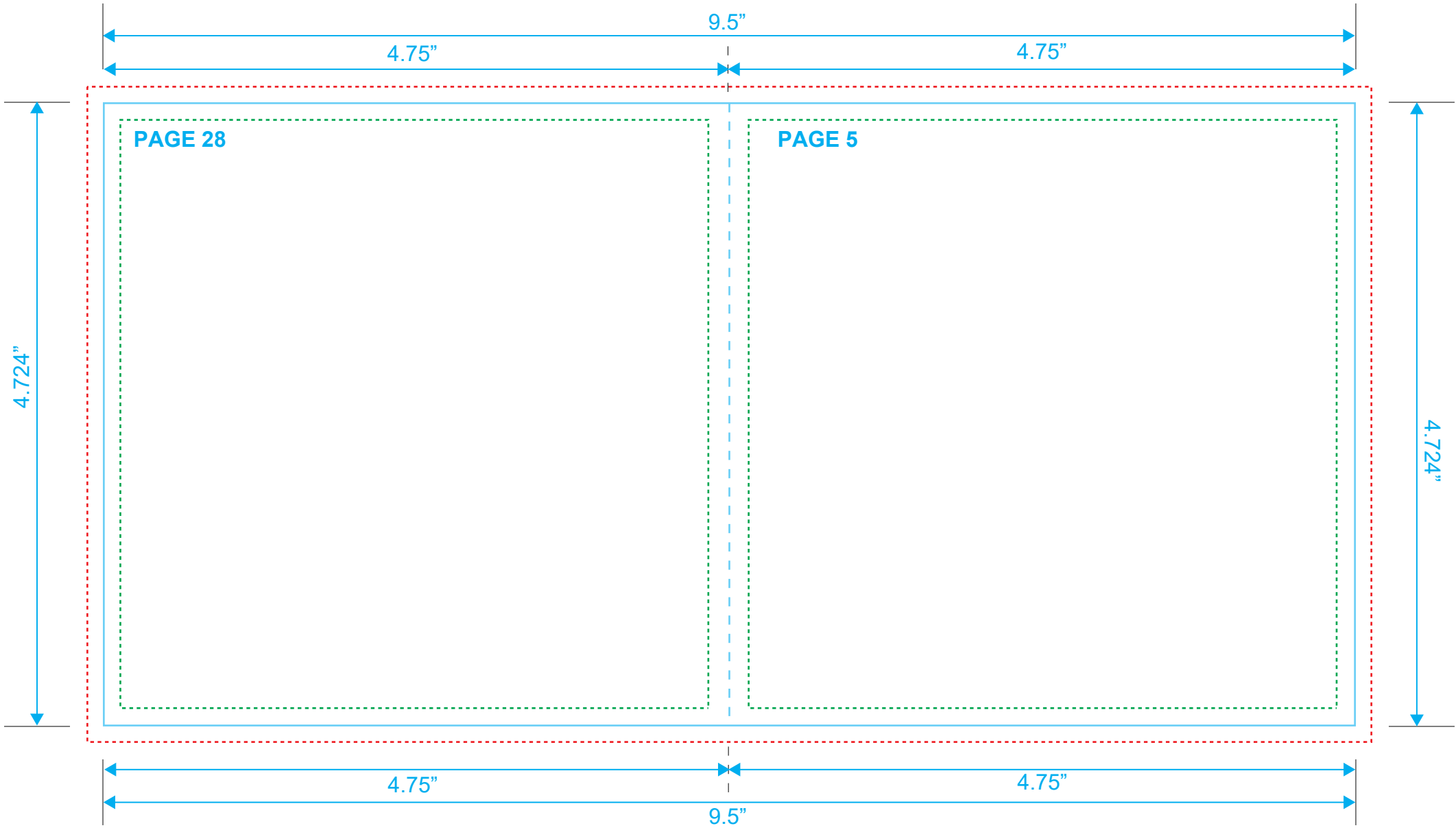
BOOKLET
Reference: 32 Pages
Style: 2 Panel
Size: 9.5" x 4.724"

Type Safety
Bleed Line
Crop Line _____



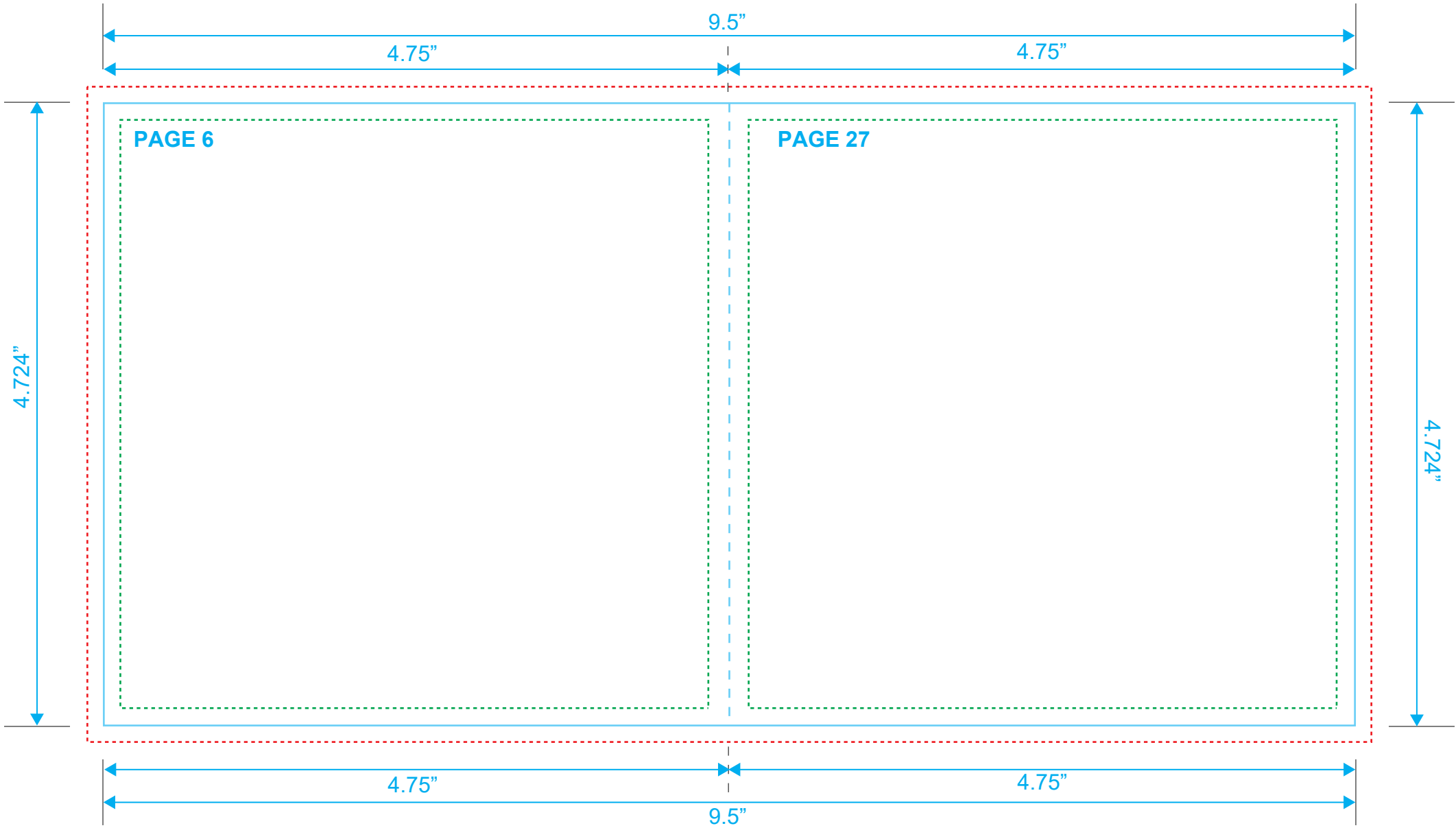
BOOKLET
Reference: 32 Pages
Style: 2 Panel
Size: 9.5" x 4.724"

Type Safety
Bleed Line
Crop Line _____



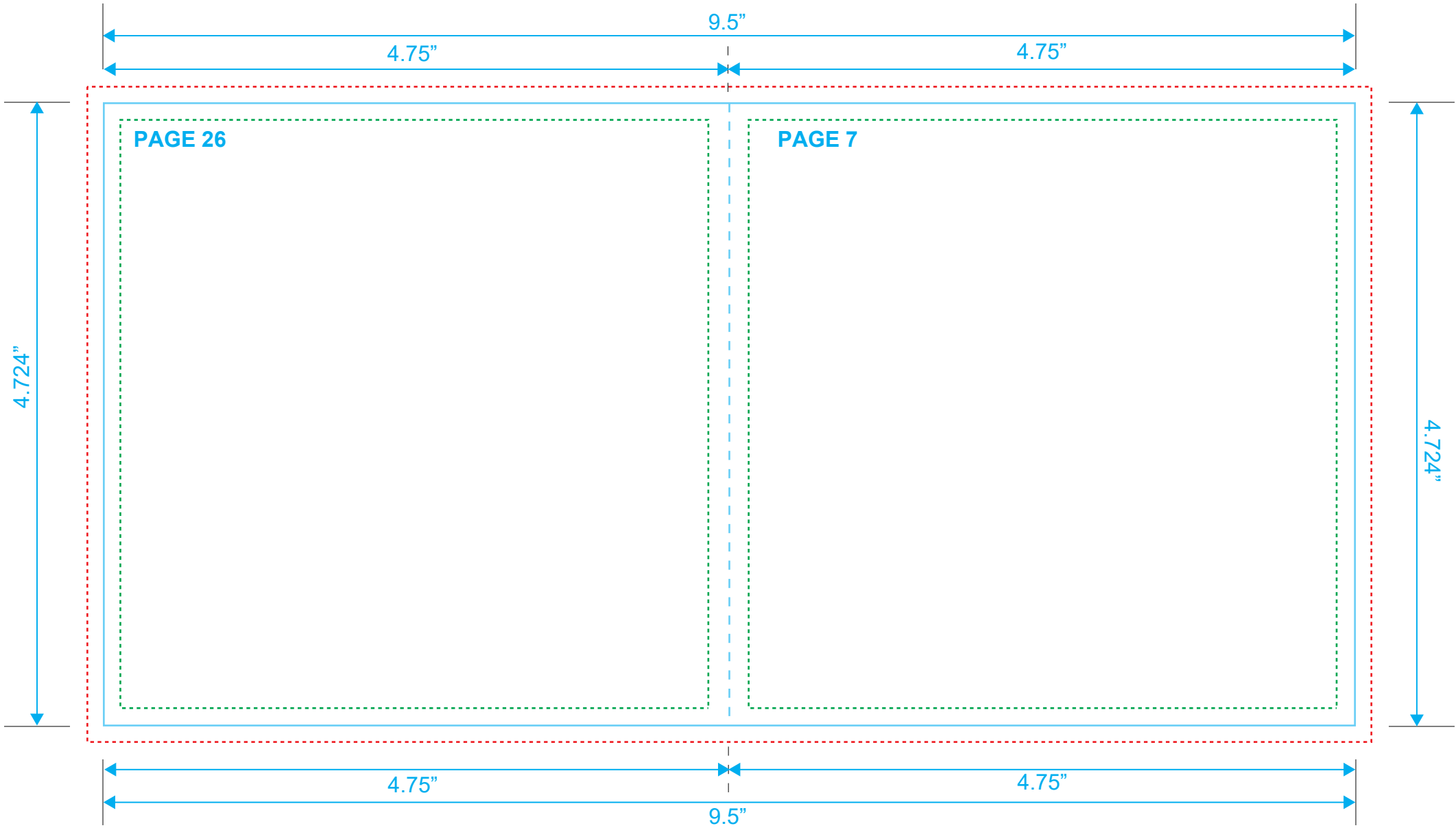
BOOKLET
Reference: 32 Pages
Style: 2 Panel
Size: 9.5" x 4.724"

Type Safety
Bleed Line
Crop Line _____



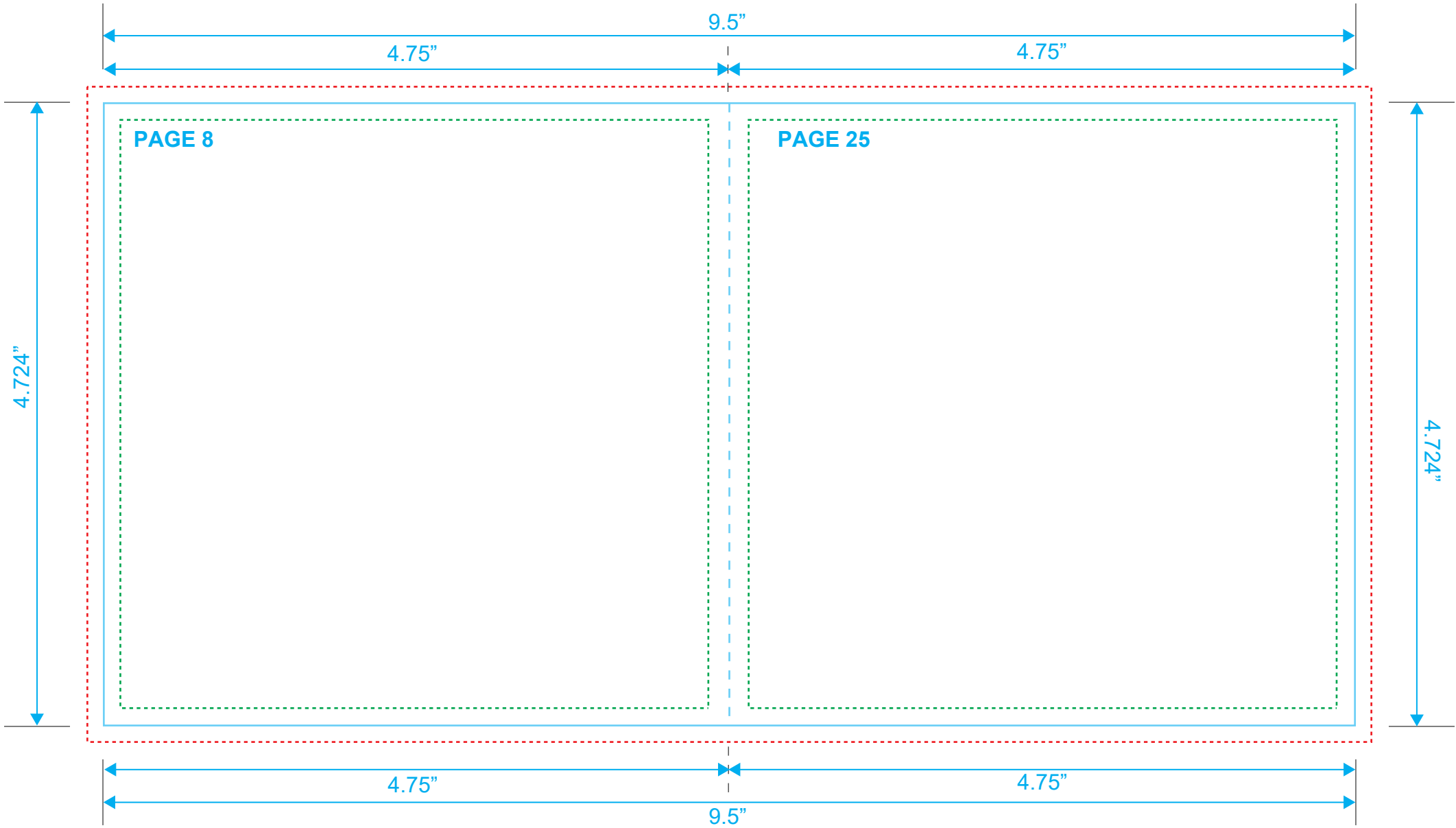
BOOKLET
Reference: 32 Pages
Style: 2 Panel
Size: 9.5" x 4.724"

Type Safety
Bleed Line
Crop Line _____



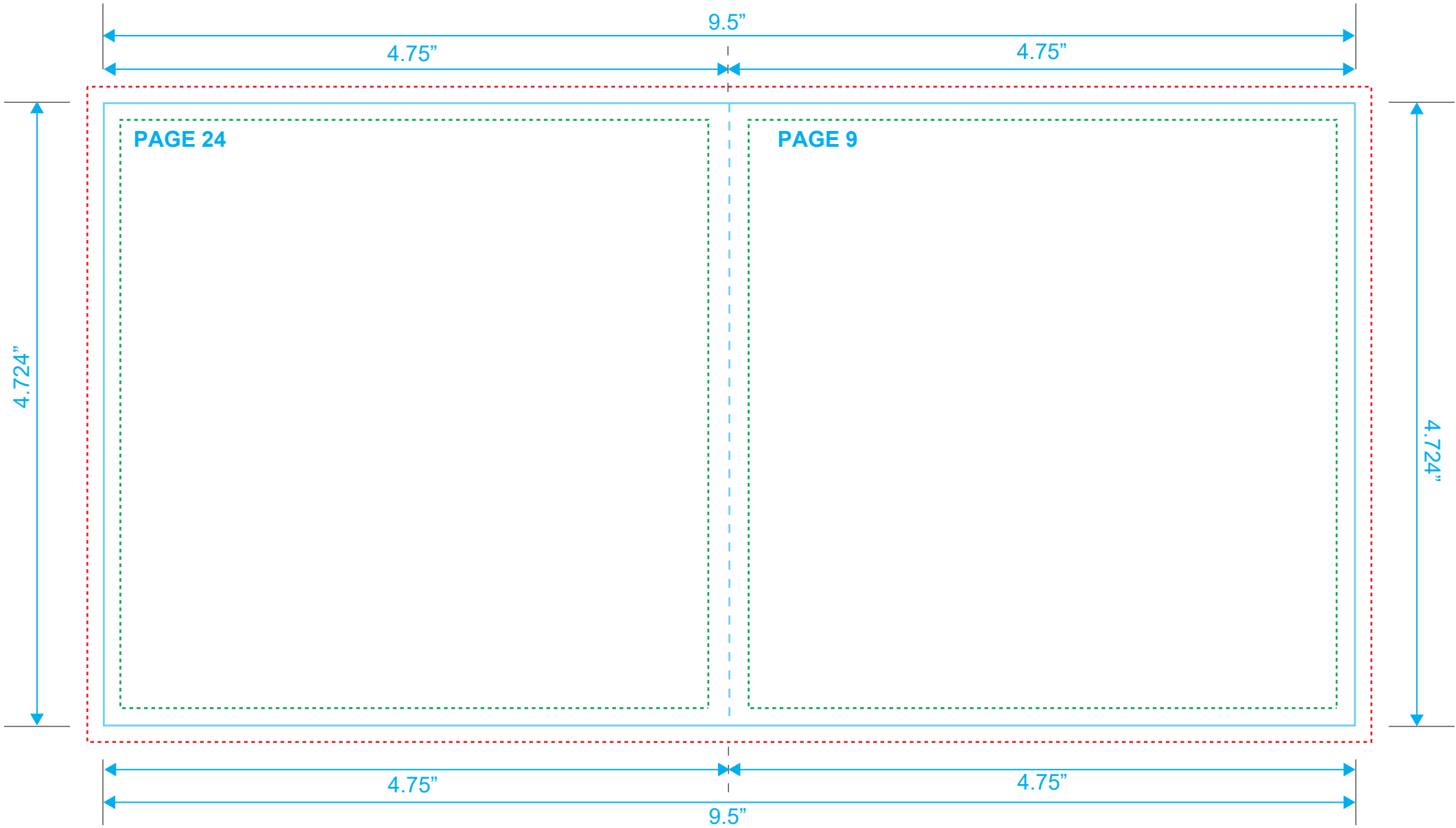
BOOKLET
Reference: 32 Pages
Style: 2 Panel
Size: 9.5" x 4.724"

Type Safety
Bleed Line
Crop Line _____



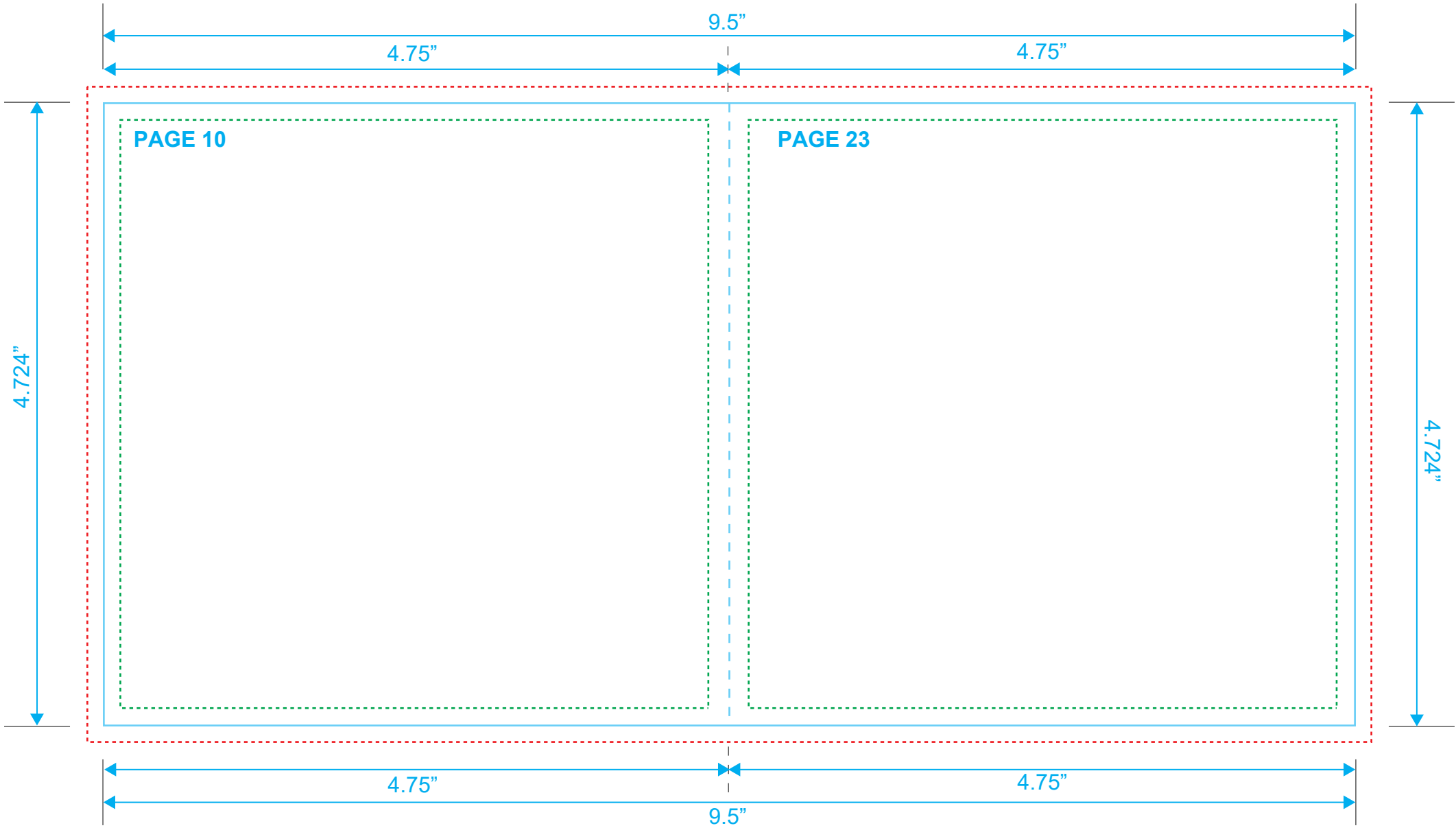
BOOKLET
Reference: 32 Pages
Style: 2 Panel
Size: 9.5" x 4.724"

Type Safety
Bleed Line
Crop Line _____



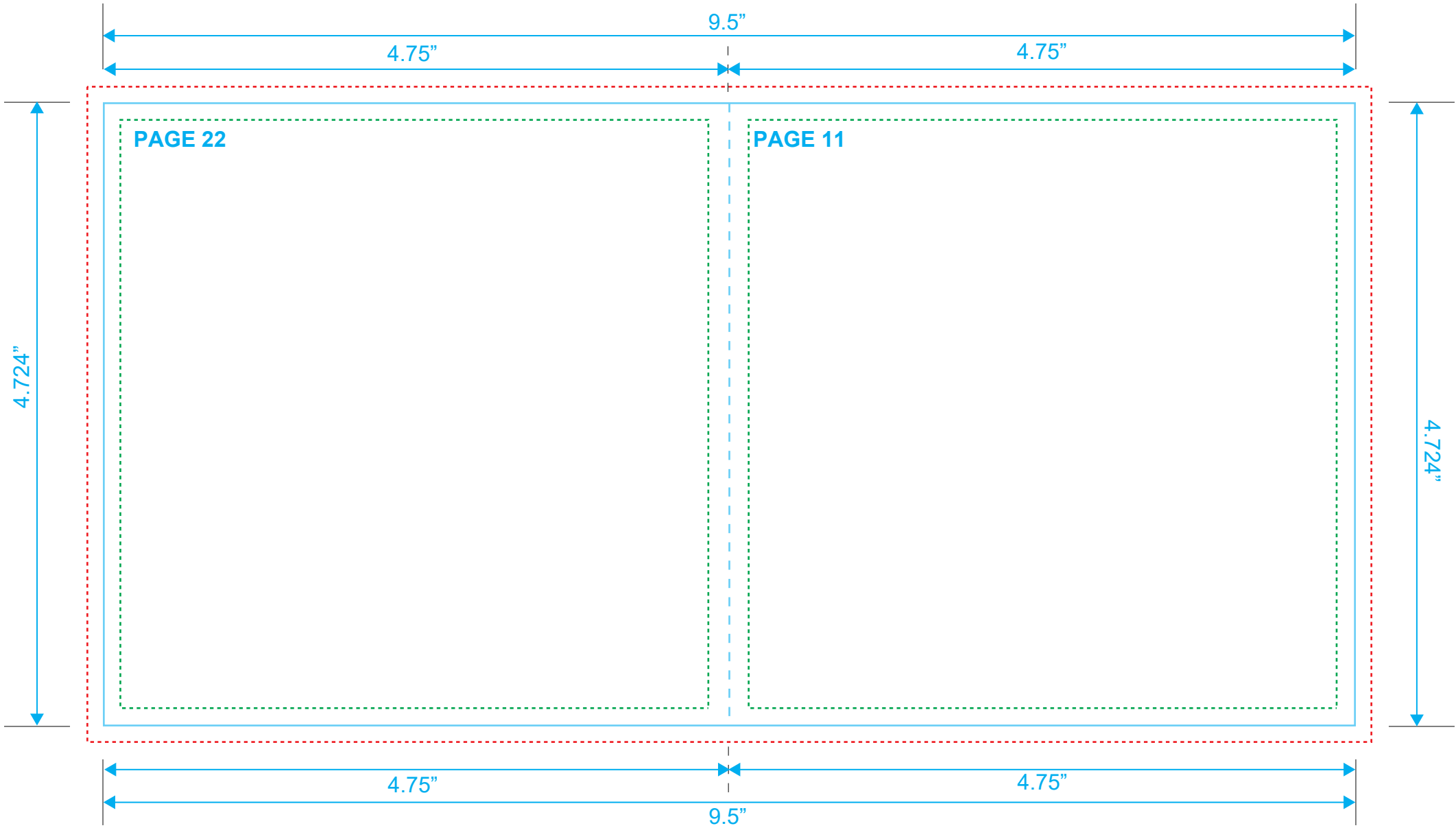
BOOKLET
Reference: 32 Pages
Style: 2 Panel
Size: 9.5" x 4.724"

Type Safety
Bleed Line
Crop Line _____



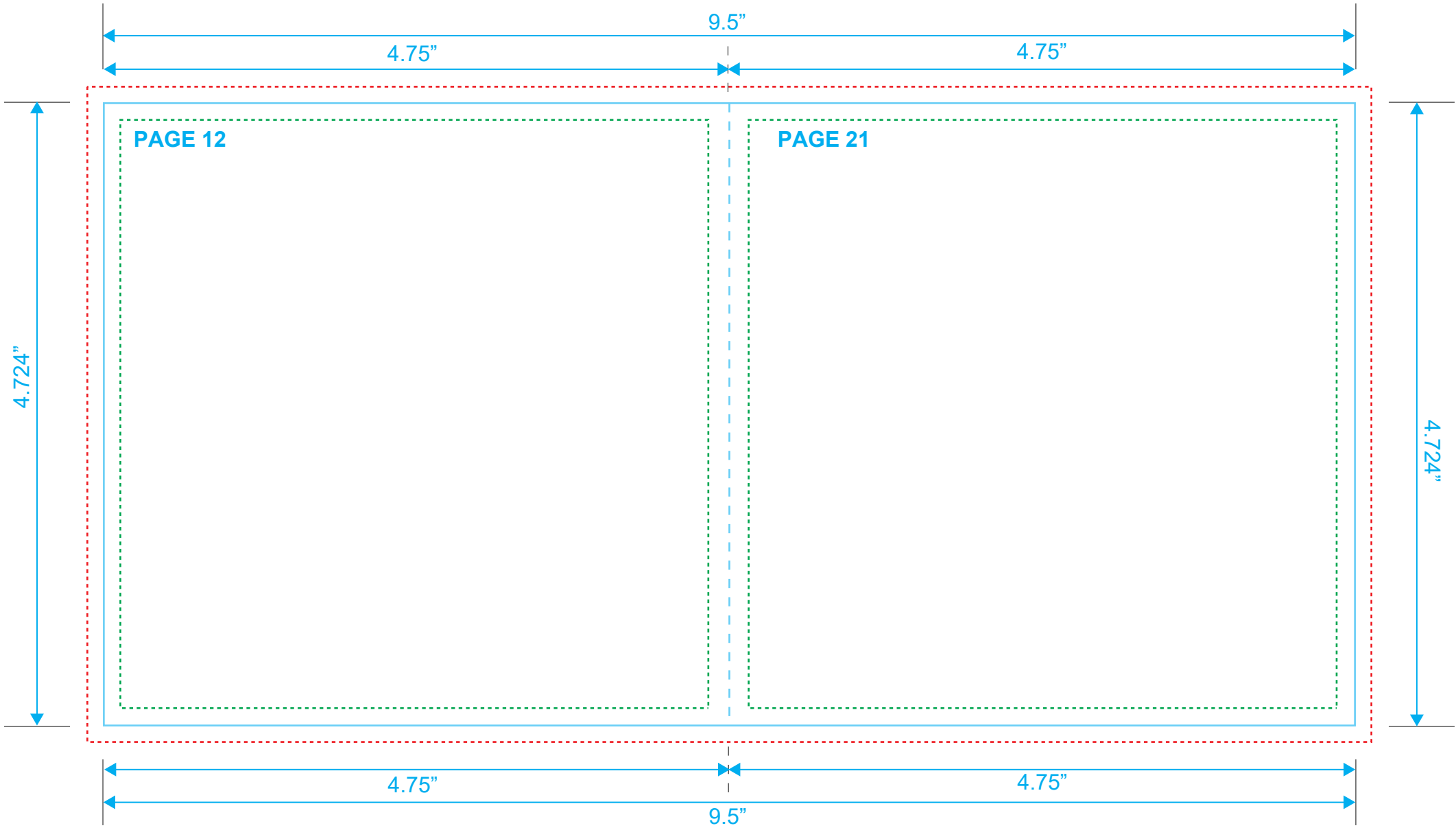
BOOKLET
Reference: 32 Pages
Style: 2 Panel
Size: 9.5" x 4.724"

Type Safety
Bleed Line
Crop Line _____



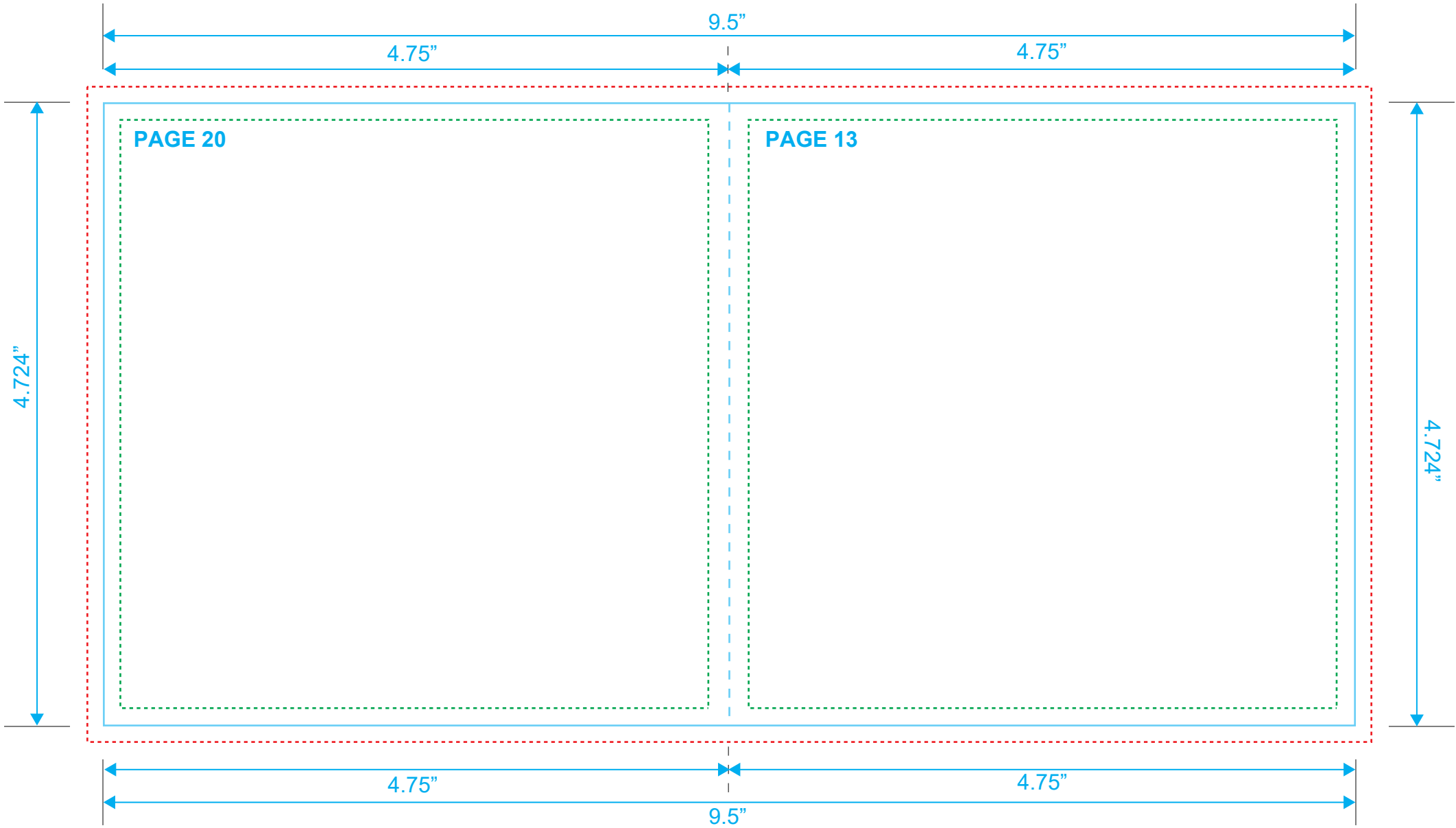
BOOKLET
Reference: 32 Pages
Style: 2 Panel
Size: 9.5" x 4.724"

Type Safety
Bleed Line
Crop Line _____



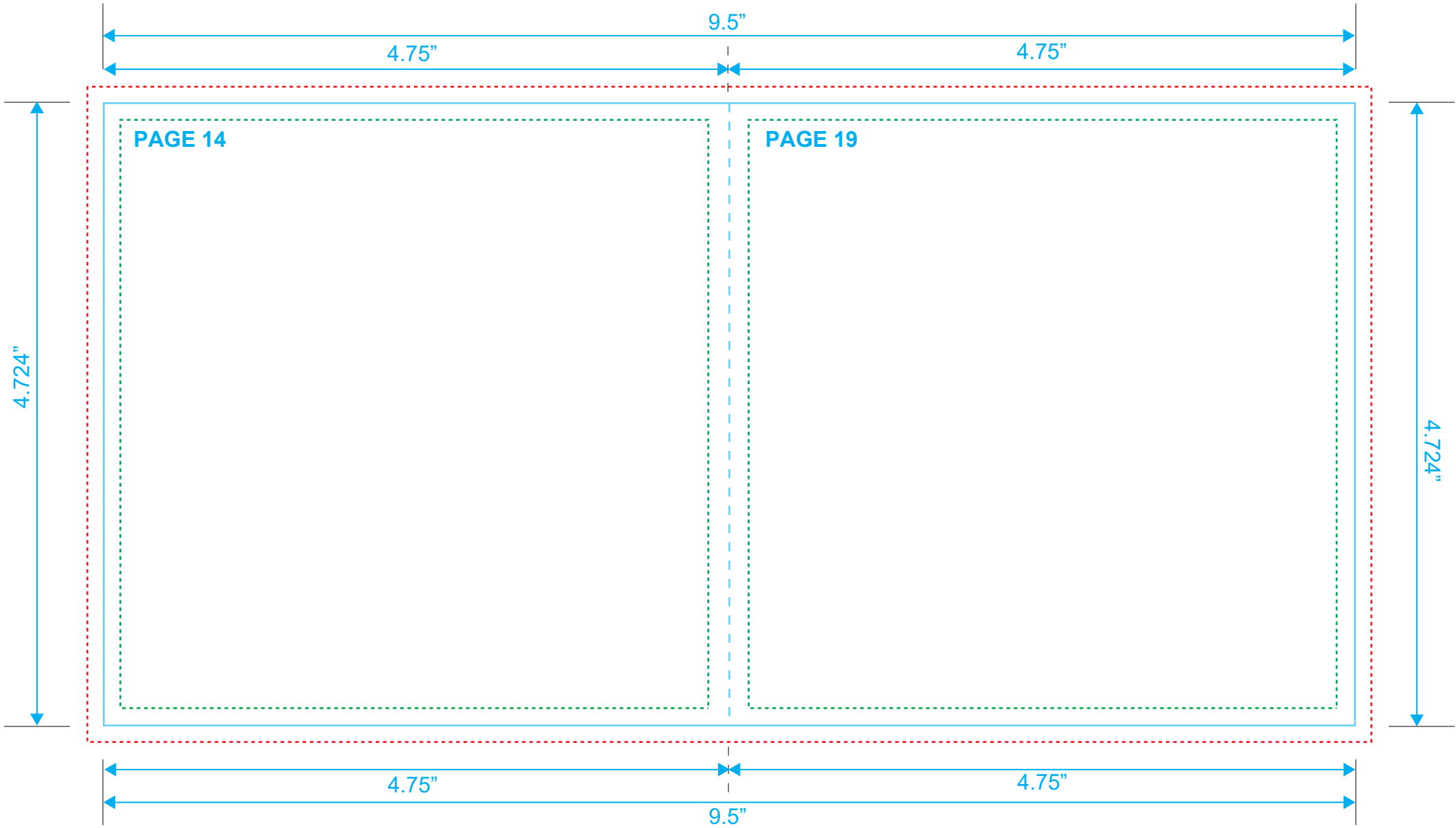
BOOKLET
Reference: 32 Pages
Style: 2 Panel
Size: 9.5" x 4.724"

Type Safety
Bleed Line
Crop Line _____



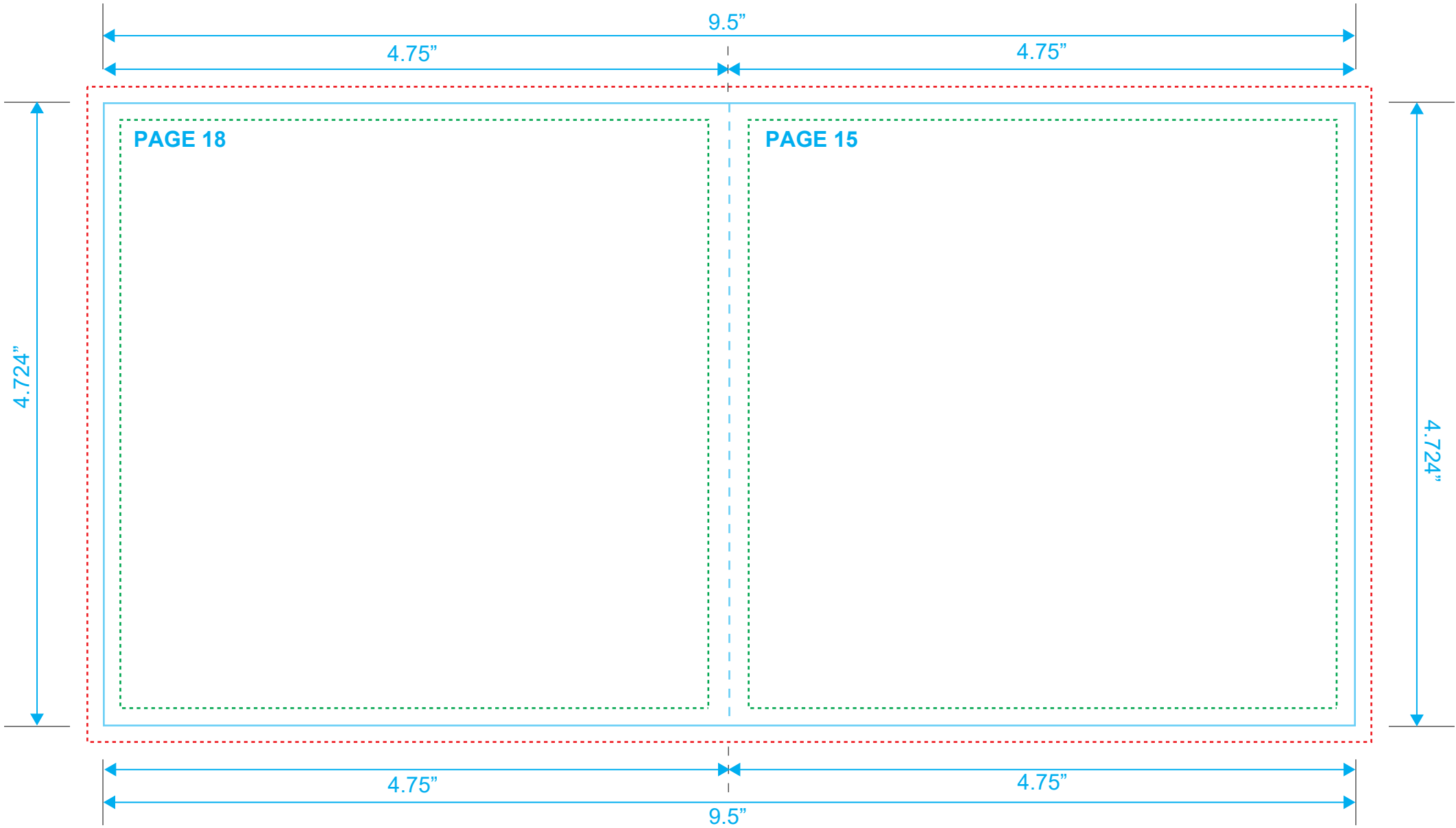
BOOKLET
Reference: 32 Pages
Style: 2 Panel
Size: 9.5" x 4.724"

Type Safety
Bleed Line
Crop Line _____



BOOKLET
Reference: 32 Pages
Style: 2 Panel
Size: 9.5" x 4.724"

Type Safety
Bleed Line
Crop Line _____



BOOKLET
Reference: HGPages
Style: 2 Panel
Size: 9.5" x 4.724"

Type Safety
Bleed Line
Crop Line ———

